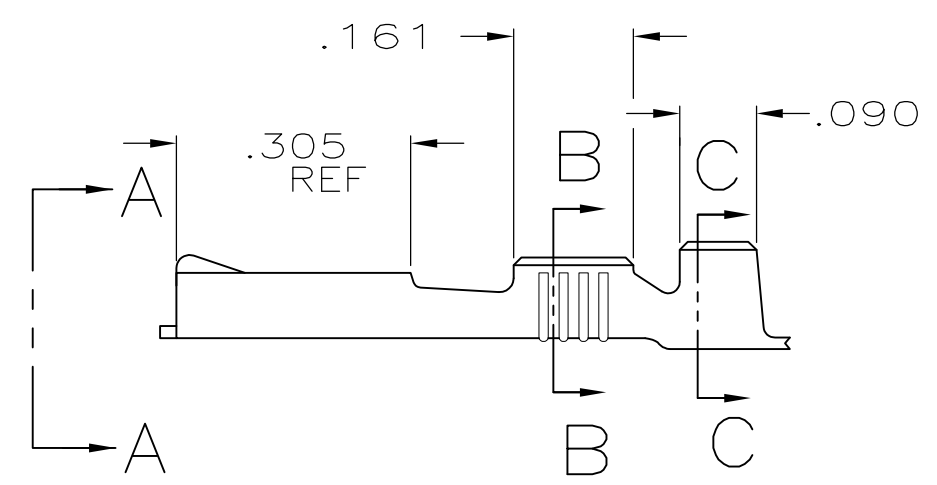
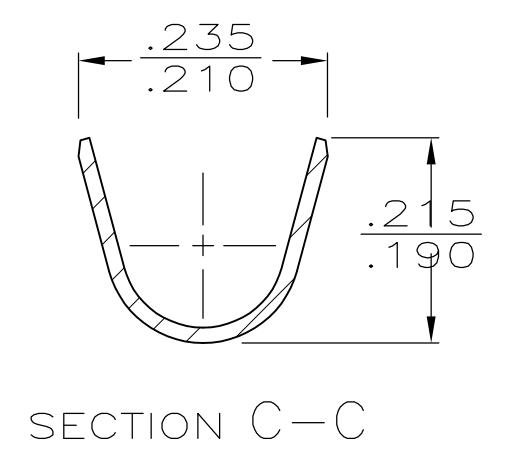
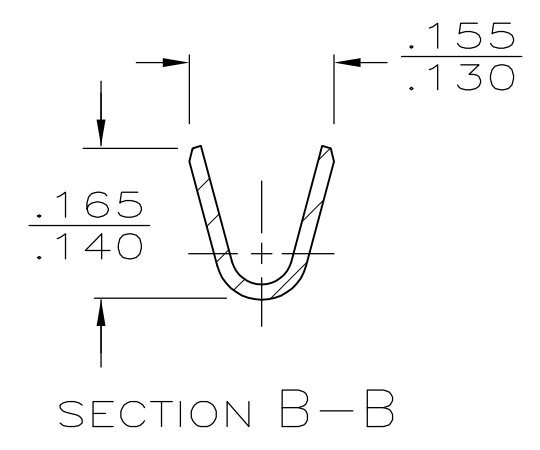
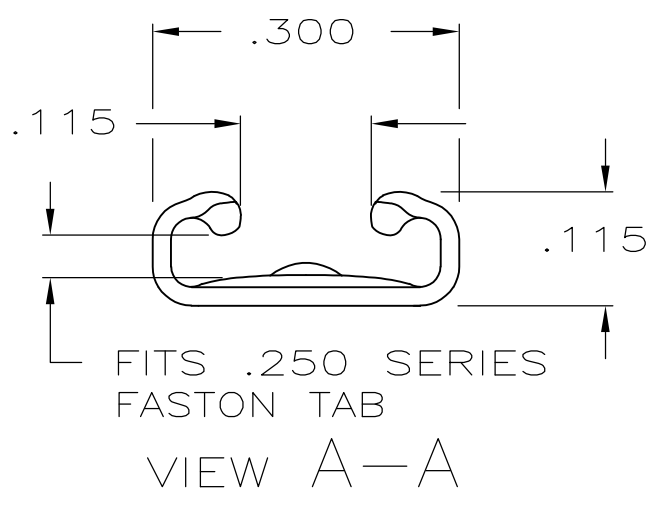
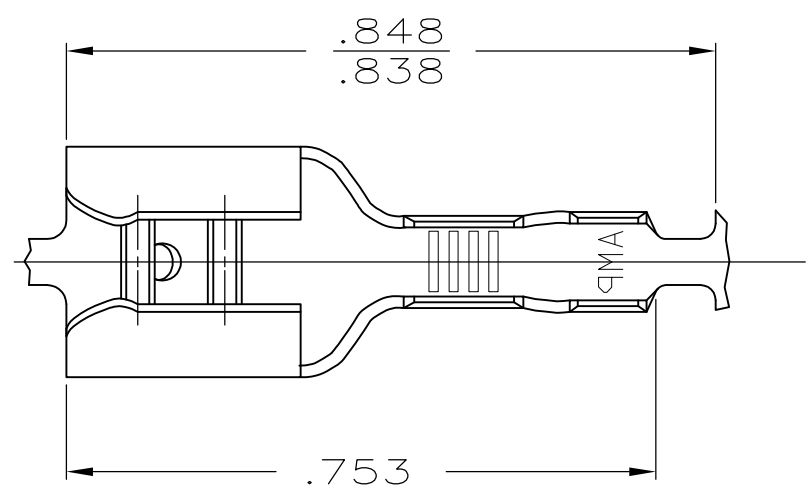


THIS DRAWING IS UNPUBLISHED. RELEASED FOR PUBLICATION
 © COPYRIGHT - By - ALL RIGHTS RESERVED.

| LOC | DIST | REVISIONS | | | |
|-----|------|-------------|---------------------------|---------|-------|
| P | LTR | DESCRIPTION | DATE | DWN | APVD |
| AF | 50 | U | REVISED PER ECR-12-013445 | 09NOV12 | KH PD |

- 1 CONTINUOUS STRIP ON REELS.
- 2 MATING TAB THK IS .032
- 3 WIRE SIZE IS #18-#14 AWG.
- 4 INSULATION RANGE IS .120-.170 DIA. ±.001
- 5 PRELIMINARY - NOT FOR PRODUCTION
- 6 REDUCED PACKAGE QUANTITY



OBSOLETE

| FINISH | MATERIAL | PART NO |
|---------|-----------------|-------------|
| TIN | .016±.001 BRASS | 6/5 42660-6 |
| NICKEL | .016±.001 STEEL | 5 42660-5 |
| PRE-TIN | .016±.001 BRASS | 42660-4 |
| TIN | BRASS | 42660-2 |
| | BRASS | 42660-1 |

| | | | | | | |
|--|--|-----------------------------|-----------------------------------|-----------|------------|---------------|
| THIS DRAWING IS A CONTROLLED DOCUMENT. | | DWN JR RUTH 4/17/86 | TE Connectivity | | | |
| DIMENSIONS: INCHES | | CHK G YETTER 4/17/86 | | | | NAME |
| TOLERANCES UNLESS OTHERWISE SPECIFIED: | | APVD C MEYERS 4/17/86 | RECEPTACLE FASTON™ .250 SERIES | | | |
| 0 PLC ± - 1 PLC ± - 2 PLC ± - 3 PLC ± .015 4 PLC ± - ANGLES ± - | | PRODUCT SPEC | SIZE | CAGE CODE | DRAWING NO | RESTRICTED TO |
| MATERIAL SEE ABOVE | | APPLICATION SPEC | — | A300779 | C-42660 | — |
| FINISH SEE ABOVE | | WEIGHT | CUSTOMER DRAWING | | SCALE | SHEET |
| | | | | | NTS | 1 OF 1 |
| | | | | | | REV U |